



6+



4



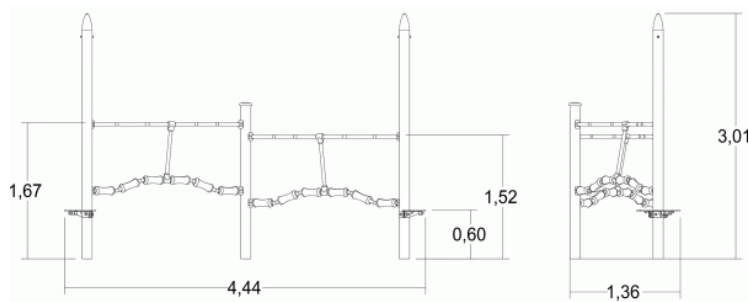
1m



1 = 4,93m  
2 = 1,37m  
3 = 3,01m



Motor inclusion  
Sensory inclusion  
Mental inclusion



Play value : **5**

hanging



x1

balancing



x2

getting across



x2

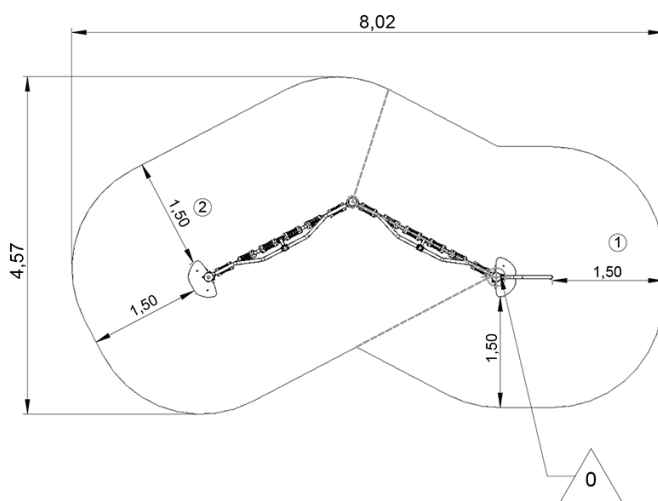
## Components



## Installation of equipment

Impact area =

-  Impact area
-  Free space



1	0,87m	12m <sup>2</sup>
2	1m	15,5m <sup>2</sup>



2

08h00

0.8m<sup>3</sup>

27.5m<sup>2</sup>

97kg

18kg

EN

1176